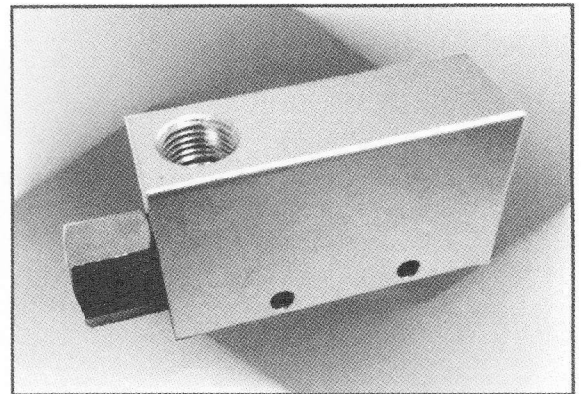


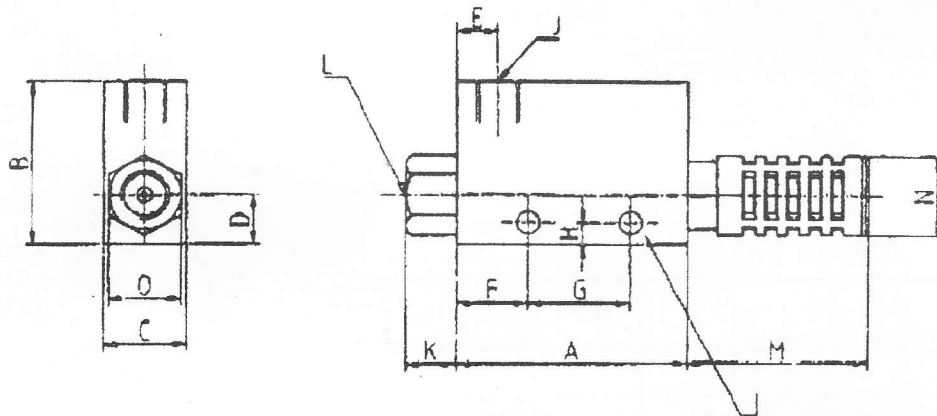


ECONOMIC TYPE VACUUM ENJECTOR



TYPE	NOZZLE DIAMETER (ψ mm)	VACUUM FLOW l/Min (ANR)	MAXIMUM VACUUM DEGREE (-kpa/mmHg)	AIR CONSUMPTION (l/Min)
VEJ-10HS	1.0	27	91.8 (690)	44
VEJ-15HS	1.5	62	91.8 (690)	100
VEJ-20HS	2.0	105	91.8 (690)	180
VEJ-25HS	2.5	150	91.8 (690)	265
VEJ-30HS	3.0	220	91.8 (690)	385

DIMENSIONS



TYPE	A	B	C	D	E	F	G	H	I	J	K	L	M	N	O
VEJ-10HS	45	33	16	10	8	14	20	4.5	2- ψ 4.2	1/8	10	1/8	35	16	14
VEJ-15HS	63	35	20	11	10	20	25	5	2- ψ 4.5	1/4	15	1/4	55	21	17
VEJ-20HS	85	40	25	15	13	28	32	7	2- ψ 6	3/8	20	1/4	72	25	24
VEJ-25HS	100	60	40	20	16	20	50	5.5	2- ψ 6	1/2	17	3/8	83	45	27
VEJ-30HS	118	60	40	20	20	33	50	5.5	2- ψ 6	3/4	20	1/2	83	45	32